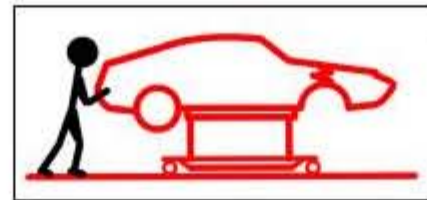
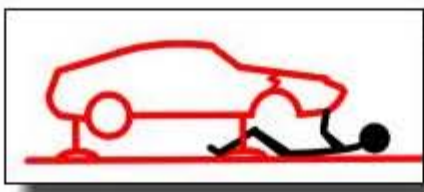
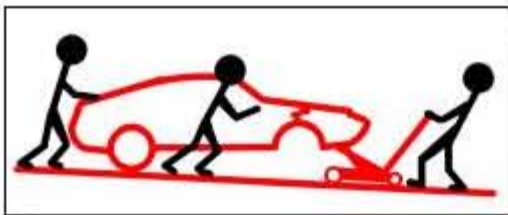


series : **CARTAR**
"FL mobile"

CARTAR LIFT & MOVE
mobile hoist technology



"lift and move"

RE INVENT your business with the :- **"CARTAR mobile SYSTEM"**

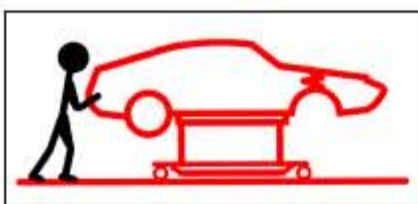


Fact 1 - "injuries reported whilst working under, or in the moving of damaged vehicles is INCREASING annually".

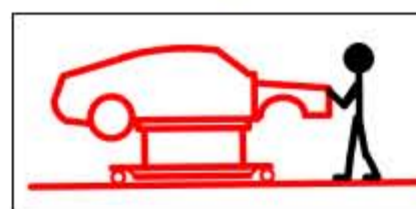
Fact 2 - "any tradesperson that is required to either lay or kneel on cold concrete for longer than 20 minutes , may sustain PERMANENT injury."

(World Health Report 2004)

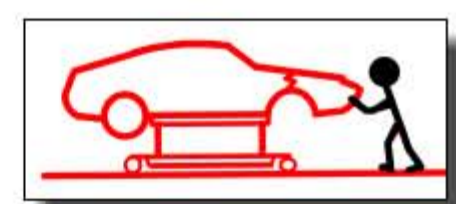
TIME



MONEY



HEALTH



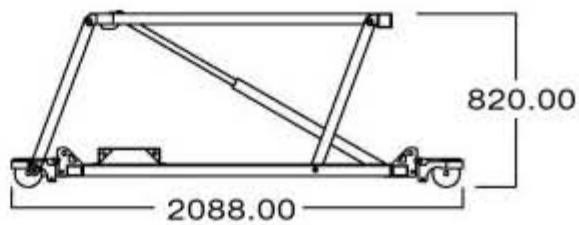
SOLUTION

SOLUTION

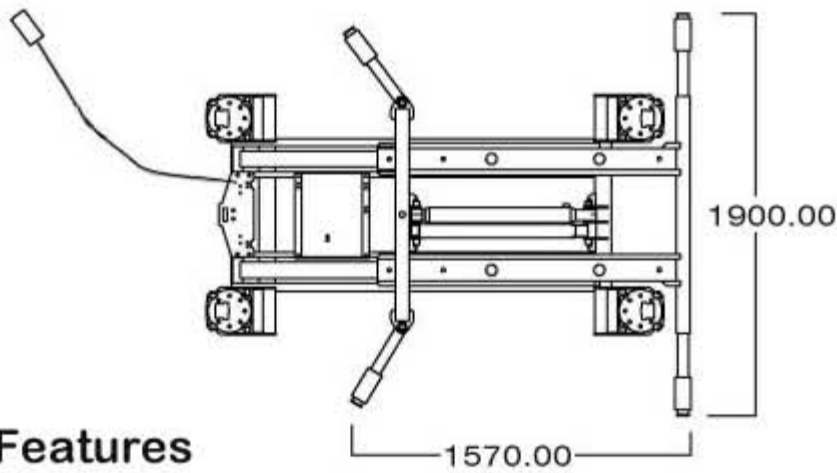
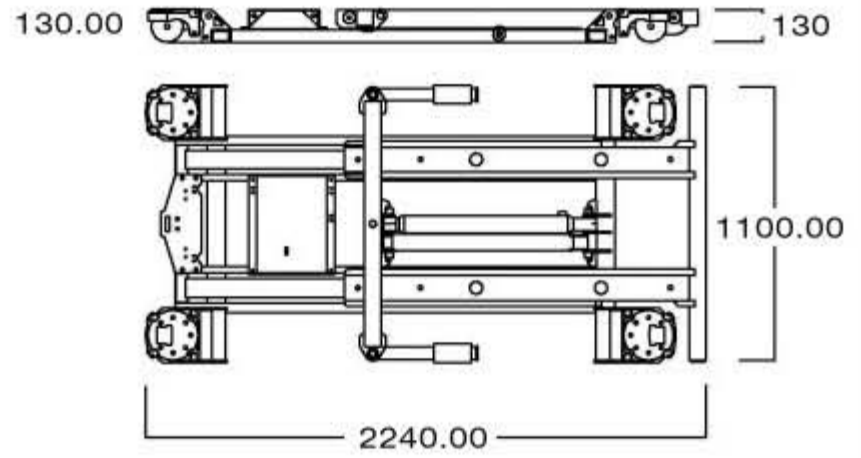
Check the library of short video clips of the Cartar Mobile in action on our "You Tube" channel. Simply go to our web site and click onto the many titles and enjoy. Or go direct to "You Tube " and type in "Cartar"



elevated



retracted



Features

- *Australian made
- *Quality made for Long Life
- *Power Source- Air Compressor (Air/Hyd)
- *Required Air Pressure : 50 - 100 psi
- *Front /Rear Loading : Drive on-drive off
- *No on-board Electrics
- *Weather Resistant - Use inside or outside
- *Built in Oil Tank and Pump
- *Max Lift : 2,500kg/5,500lbs
- *Turning Circle : 360 degrees on all 4 wheels
- *Extensive quality Safety Features.
- *Shipping Weight : 330 kg/726lbs

Wheel Elevation System

LOWER

MOBILIZE

CARTAR Patented Castor Wheel



series : **CARTAR** **"SUV KIT"**



The Cartar SUV Kit offers the unique feature of being bolted and locked into your chosen position. This is vital because of the "mobility" function of the Cartar FL. When lifting with your SUV Kit, do NOT exceed the MAX weight limit set in your instruction manual.

The Hole pattern and desing of your SUV Kit offers a wide range of choices.



