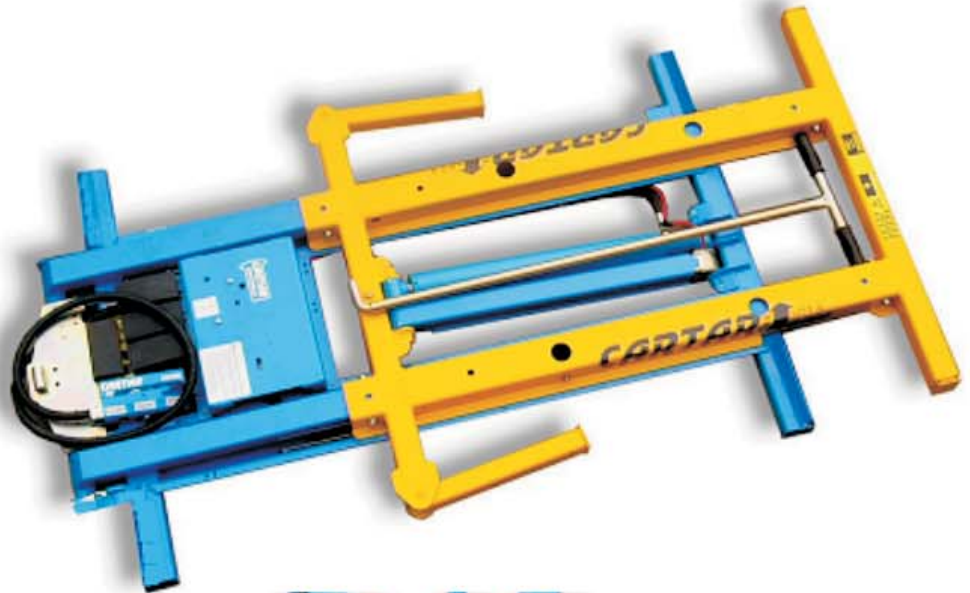


series : **CARTAR**
"FL Porto"

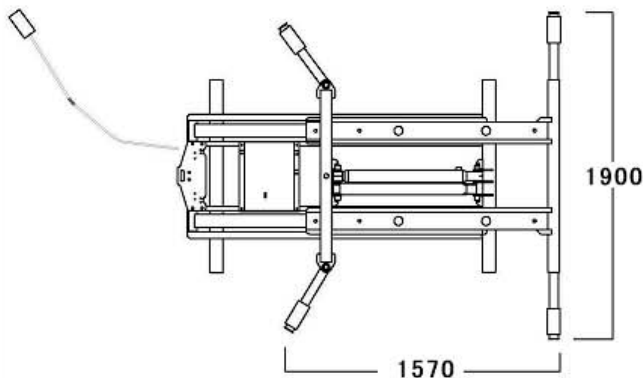
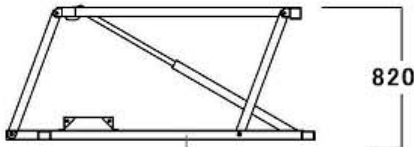
CARTAR LIFT & MOVE
 mobile hoist technology



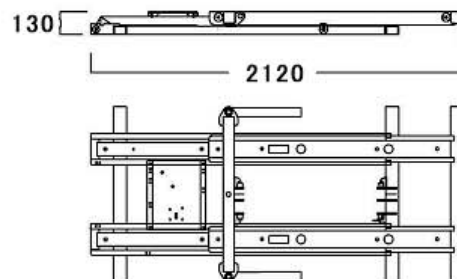
features:

- *Australian made
- *Drive On-Drive Off
- *Quality Made-Long Life
- *Quality Safety Features
- *Max Lift : 2100kg/4630lbs
- *On-board Oil Tank and pumps
- *Weather Resistant -Inside or Outside
- *Power Source: Air Compressor (Air/Hyd)

Elevated



Retracted



Authorized Distributor



Head Office CARTAR Australia P.O Box 90 . Mt.Martha . Australia . 3934 tel / fax : +61 3 59 87 1514 email : info@cartar.com.au

visit our Showroom Online:- www.cartar.com.au

Patents: USA Pat 6,619620. Aust Pat 750669 PCT-3/00343. Euro Pat: 98960 887-2