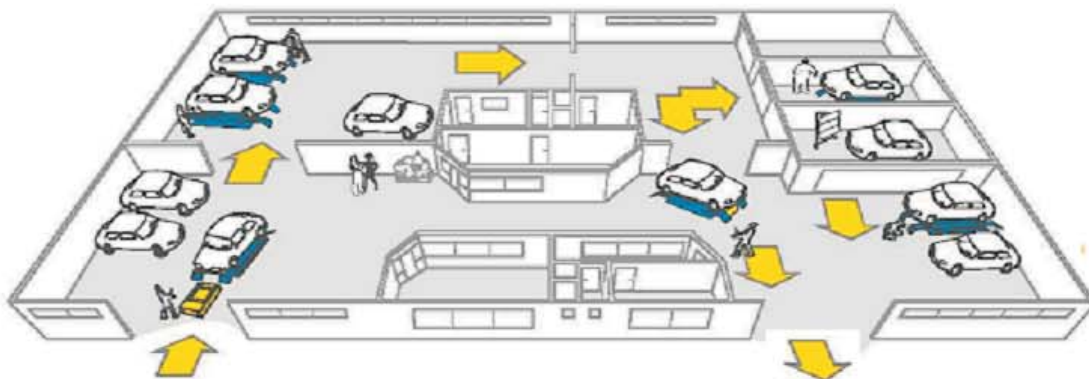


series : **CARTAR**

**"SL mobile"**

**CARTAR** **LIFT & MOVE**  
mobile hoist technology



**Fact 1-** "injuries reported whilst working under, or in the moving of damaged vehicles is INCREASING annually".

**Fact 2-** "any tradesperson that is required to either lay or kneel on cold concrete for longer than 20 minutes, may sustain PERMANENT injury."

(World Health Report 2004)

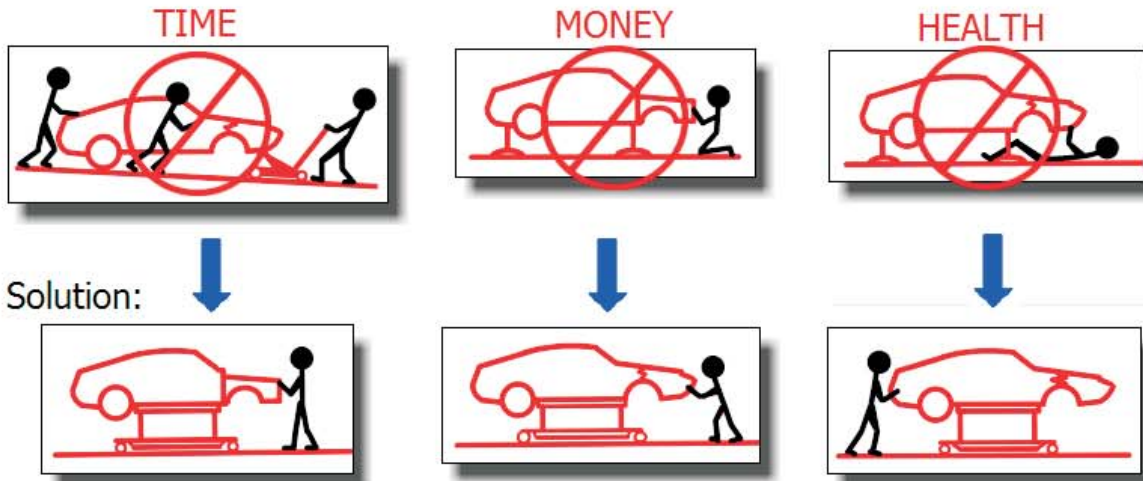


Head Office CARTAR Australia P.O Box 90 . Mt.Martha . Australia . 3934 tel / fax : +61 3 59 87 1514 email : info@cartar.com.au  
ABN 78 884 276 079

visit our Showroom Online:- [www.cartar.com.au](http://www.cartar.com.au)

Patents: USA Pat 6,619620. Aust Pat 750669 PCT-3/00343. Euro Pat: 98960 887-2

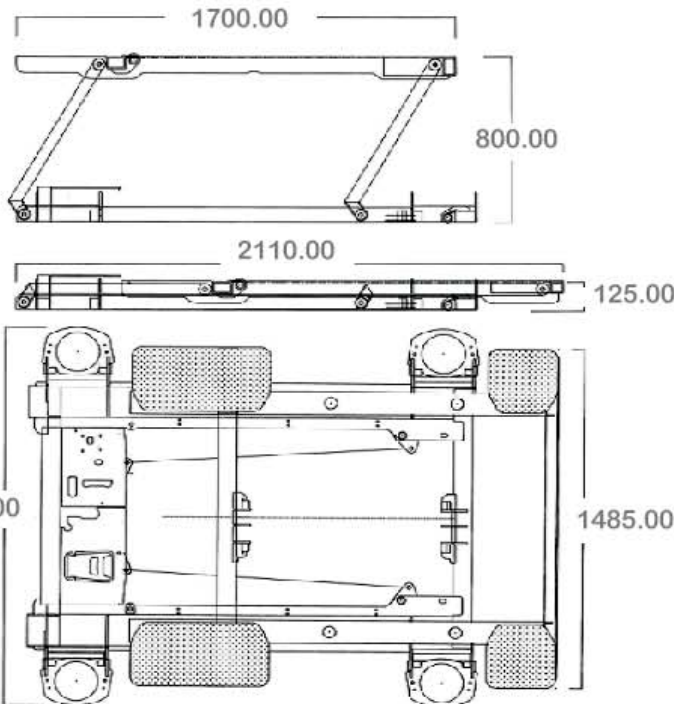
series : **CARTAR**  
**"SL Mobile"**



features :

- \*Australian made
- \*Quality made-Long Life
- \*Power Source-Air Compressor (Air/Hyd)
- \*Required Air Pressure: 50-100 p.s.i
- \*Side Loading
- \*Weather Resistant-use inside or outside

- \*No on-board Electrics
- \*On-board Oil Tank and Pump
- \*Max Lift : 2200kg/ 4700lbs
- \*Turning Circle : 360 degrees on all 4 wheels
- \*Quality Safety Features
- \*Shipping Weight: 265 kg/583lbs



CARTAR Patented  
 Castor Wheel



Wheel Elevation System



Authorized Distributor